

**INSTRUCTIONS FOR INSTALLING A PLATEN COVER AND LATCH UPGRADING KIT
IN A NATIONAL VENDORS® BUCK PASSER, MODEL #'s 5261206, 5261207,
5261209, 5261215, 5261220 5261225, 5261226 AND 5277281**

**CHECK THE PARTS RECEIVED IN THE KIT WITH THE PARTS LIST
IN THESE INSTRUCTIONS. IF ANY PARTS ARE MISSING, CONTACT
NATIONAL VENDORS' PARTS DEPARTMENT IMMEDIATELY.**

Kit number 5277412 contains the following:

Part Number	Description	Quantity
5277408	Spring, Latch	1
5277409	Latch Bar	2
5277410	Platen Cover	1
5277411	Instructions Installation Platen Cover and Latch Upgrading Kit	1

REMOVAL (See Figure 1).

1. Remove Buck Passer (4) from unit.
2. Remove screws (2) and platen cover (3).
3. Remove unlatch cam (1) from platen assembly.
4. Straighten the two tabs on the latch bars (5) at Point "A".
5. Push the two latch bars (5) in the direction of the two arrows and release one end of each bar from the platen. See Detail B.
6. Forming a sissors like position with bars, remove one bar first and then remove the other. See Detail C.

INSTALLATION (See Figure 1).

1. Install new latch bars (8) into platen.
2. Install latch spring (7) as shown.
3. Install new platen cover (6) using screws (2).
4. Re-install Buck Passer (4) in unit.

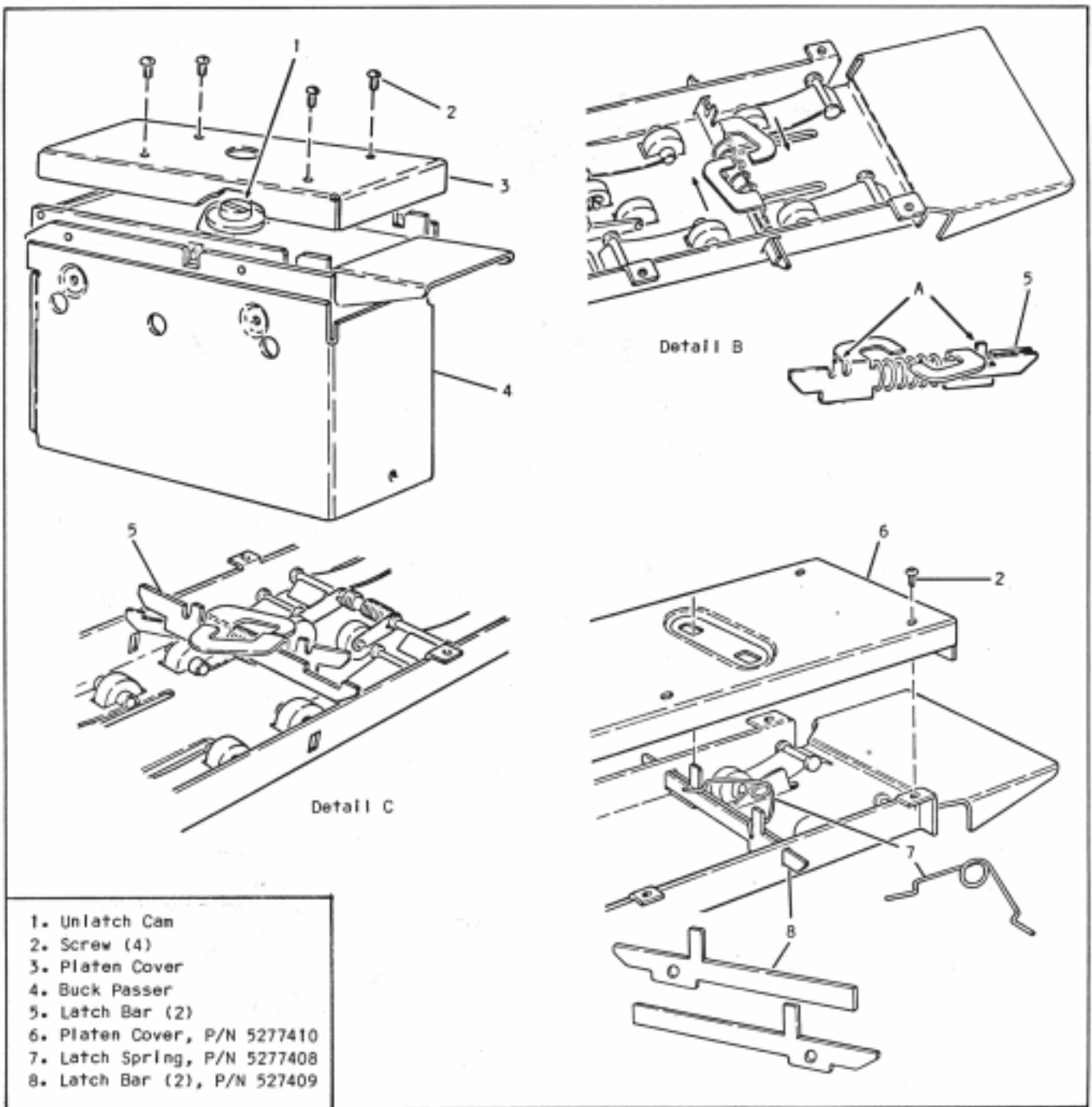


FIGURE 1